



Chilli Pro 4 dimmer

Four channel, 10A, installation dimmer

Chilli Pro 4 Key Features

- 4 Dimming Channels
- 10 Amps per channel
- MCB per channel
- Lockable breaker cover

All Chilli Pro dimmers include:

- Single Pole Neutral Disconnect breakers per channel
- Automatic frequency tracking
- 100% Duty Cycle, convection cooled
- Simple user interface
- Variable level channel test
- 4 dimmer laws selectable per channel
- Preheat per channel
- Topset per channel
- DMX & ChilliNet control inputs
- DMX addressing per channel
- RDM enabled
- Built in, switchable, DMX line termination
- User defined back up memory
- Easy wall installation
- Common service applications need only a screwdriver
- UK designed and built
- 3 year warranty



Overview

The Chilli Pro 4 is a compact, four channel, inductive installation dimmer with 10 Amp, neutral disconnect MCBs per channel.

The Chilli Pro Range

Chilli Pro is a range of high density wall mounted convection cooled power switching and dimming cabinets. Quick to install and set up, easy to operate and maintain; Chilli Pros are the workhorse of any hard working professional venue.

The user interface and backlit LCD screen on each dimmer ensure simple convenient set up for DMX patching, preheat, topset and dimmer curves and for peace of mind, the user interface and all breakers are also protected by a lockable breaker cover.

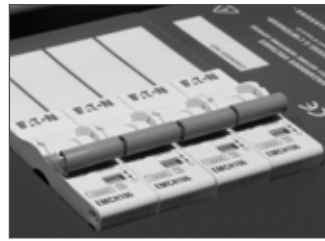
A choice of responses to DMX failure, backup memories, built in chases and an alarm input trigger complete the versatile Chilli dimming package.

Also available...

Chilli Pros are available in 4, 6, 12 and 24 channel packages featuring 10, 16 and 25 Amp load capacities with optional RCD protection, relay channels, bypass switches, RCBOs and HF dimming, contained in a slim line wall mounting enclosure.



Powering Business Worldwide



Ordering Information

01-120-00 Chilli Pro 4 dimmer

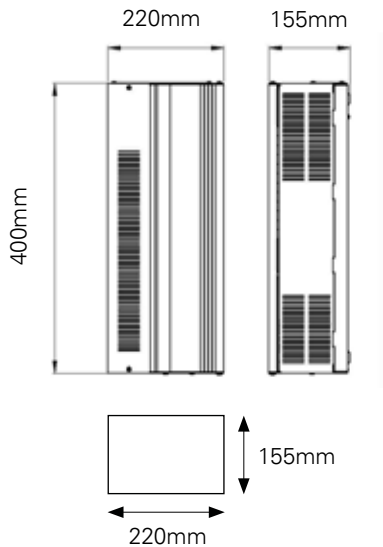
Supplied Accessories

Installation / Operating Instructions

Also supports ChilliNet

- 12 memories per area
- 3 sequences
- 10 areas available

Dimensions



Weight: 7.0Kg

Specifications

- Number of channels: 4
- DMX Address: Addressable per channel
- Channel Capacity: 0.1A min / 10 Amp max
- Total dimmer capacity: 40Amp (Single Phase)
- Dimmer duty cycle: 100%
- Dimmer curves: Normal, Linear, Switched and Square
- Memories: 12
- Sequences: 3
- Areas/zones: 10
- Topset: Selectable per channel
- Supply voltage: 200-255V
- Supply frequency: 45 to 70Hz auto-sensing and auto-tracking
- Rise Time: 80uS
- Control Input:
 - DMX via terminal block accepts DMX 512-1990. Start address set via front panel controls
 - DMX termination may be switched in or out internally
- ChilliNet Support
- RDM Enabled
- Channel outlets: Outlet connections via 6mm² terminal strip
- Case has the following knockouts: Top 1 x Ø28.5mm, 4 x Ø22.5mm, 4 x Ø25.5mm. Bottom 1 x Ø25.5mm, 1 x Ø22.5mm
- Channel protection: 10 Amp, type C, neutral disconnect thermal magnetic circuit breaker per channel, breaking capacity 6000A
- Cooling: Convection
- Dimensions: 400mm(H), 220mm(W), 155mm(D)
- Weight: 7.0Kg (15.5lb)
- Operating Temperature: +5°C to +40°C
- Humidity: 5% to 95% Non condensing

Contact your local Eaton office

Usk House, Lakeside, Llantarnam Park,
Cwmbran, Torfaen, NP44 3HD. UK
T: +44 (0)1633 838088 F: +44 (0)1633 867880
E: enquiries@zero88.com www.zero88.com

Eaton Industries Manufacturing GmbH
Electrical Sector EMEA
Route de la Longeraie
71110 Morges, Switzerland
Eaton.eu

© 2016 Eaton
All Rights Reserved

Chilli_Pro_4_Dimmer_Datasheet_UK_Rev1_0516

Changes to the products, to the information contained in this document, and to prices are reserved; so are errors and omissions.

Eaton is a registered trademark.

All other trademarks are property of their respective owners.